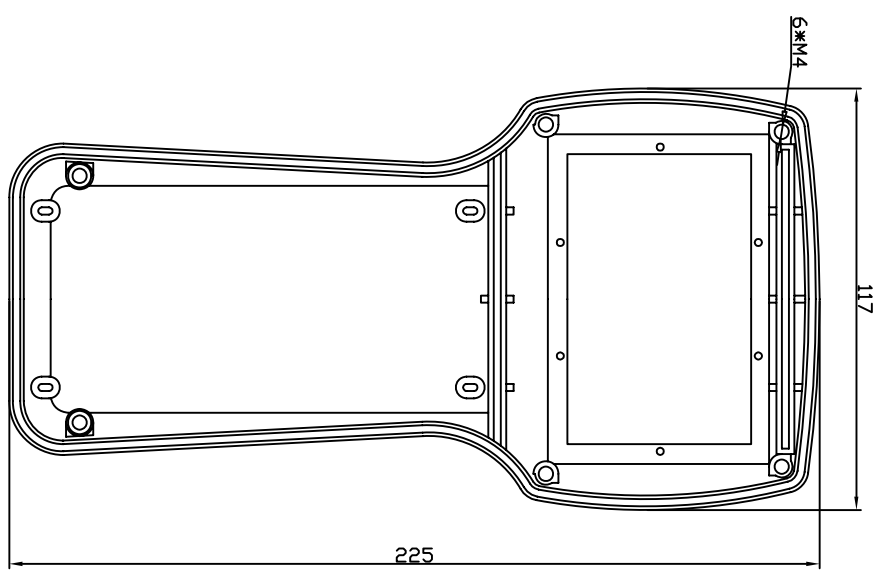
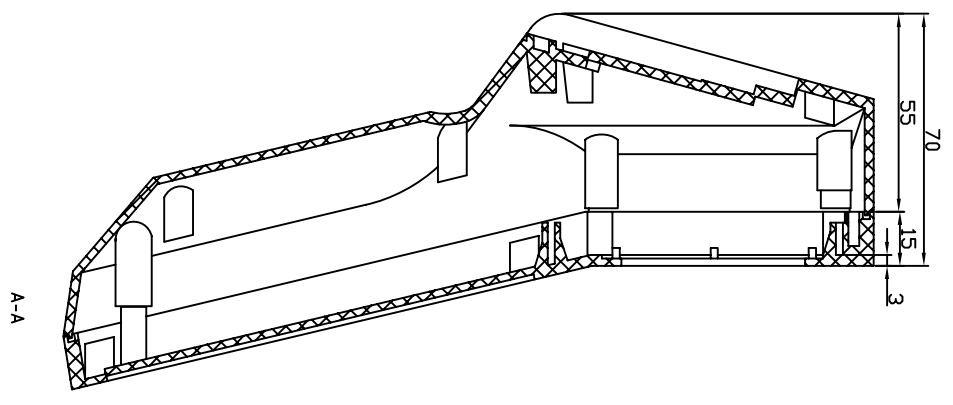
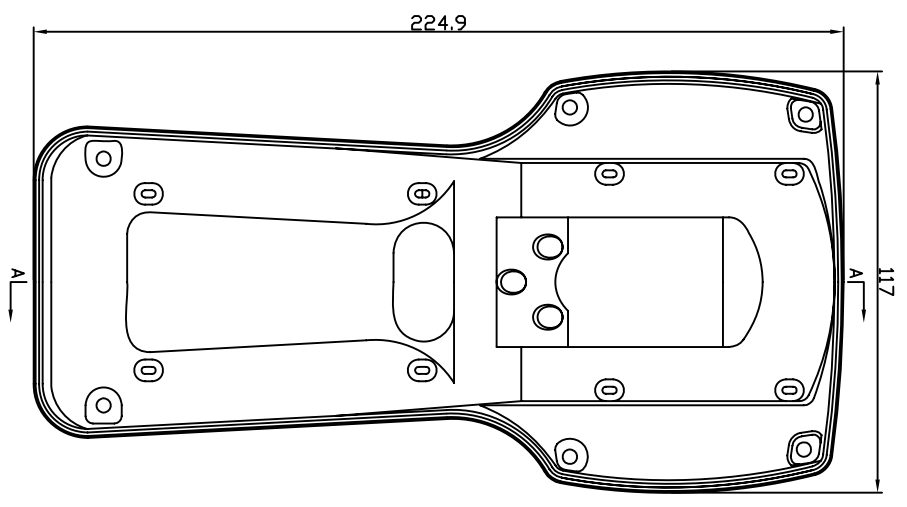


REVISION RECORD				
REV	ECD	DESCRIPTION	DRFT	CHKD



DETACHED LISTS			
MM (INCH)	DATE	DRFT	CHKD
0 ± 0.3			
0.01 ± 0.02			
0.003 ± 0.01			
ANGLES ± 5°			
THIRD ANGLE PROJECTION			
FINISH:			
SCALE: 1:1			
MATERIAL: ABS		TITLE: PH020	
DRAWING NO. PH020		EVEREST	
/PART NO. 00		WWW.EVERESTCASE.COM	
DID NOT SCALE DRAWING		SIZE: A4	REV:
SHEET 1		OF 1	