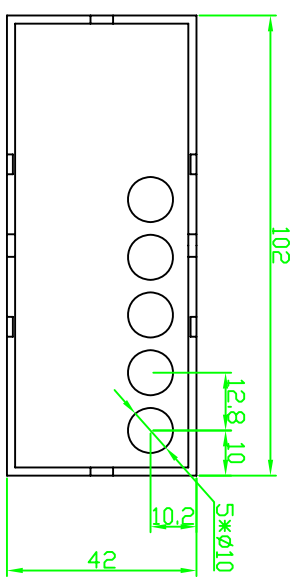
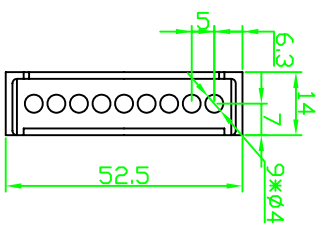
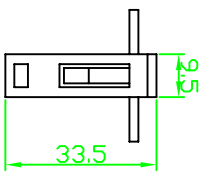
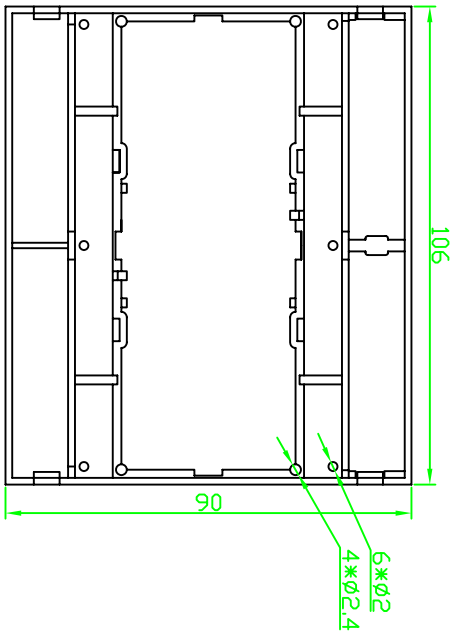
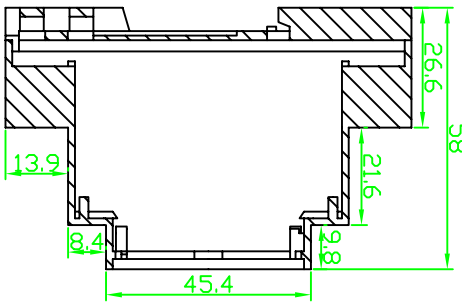
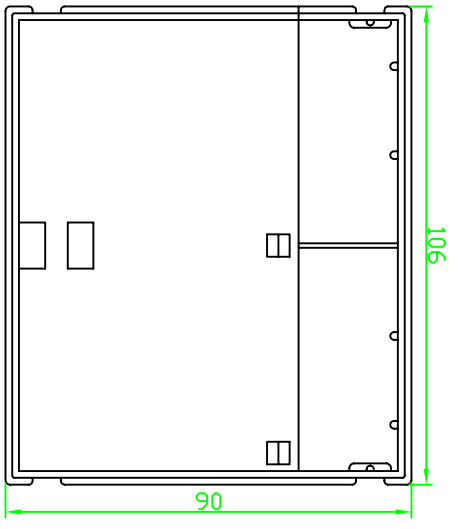


REVISION RECORD			
REV	ECD	DESCRIPTION	DRFT



盖子

DETACHED LISTS		TOLERANCES EXCEPT AS NOTED		DATE	
MM	(INCH)	MM	(INCH)	DRFT	DATE
0 ± 0.3	±	0.00 ± 0.02	±	CHKD	DATE
0.00 ± 0.1	±	0.00 ± 0.1	±	MFD	DATE
	±		±	APPL	DATE
ANGLES ± 5°		MATERIAL: ABS		TITLE	
FIRST ANGLE PROJECTION		QTY: 1		PLC017	
SCALE: 1:1		FINISH:		DRAWING NO: PLC017	
				/PART NO: 00	
				DD NOT SCALE DRAWING	
				SHEET 1 OF 1	

埃弗斯
EVEREST
WWW.EVERESTCASE.COM