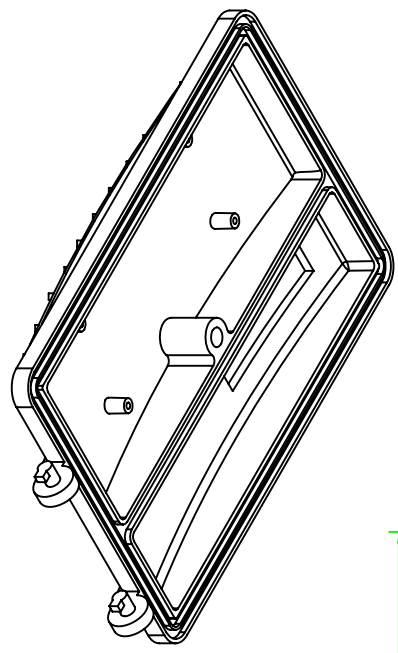
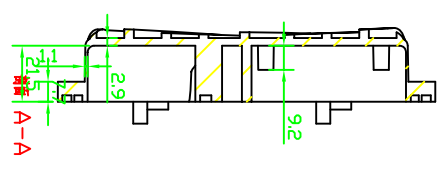
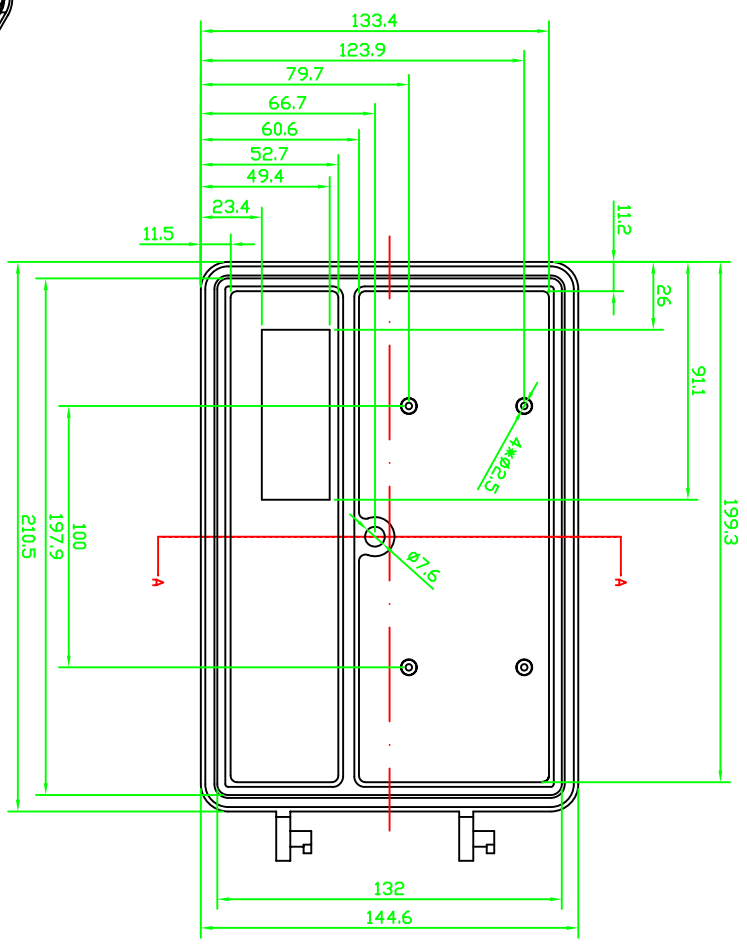


| REVISION RECORD | | | |
|-----------------|-----|-------------|------|
| REV | ECD | DESCRIPTION | DRFT |
| | | | |
| | | | |



| DETACHED LISTS | |
|----------------------------|--|
| FIRST ANGLE PROJECTION | TOLERANCES EXCEPT AS NOTED MM: 0.1 ± 0.03 0.00 ± 0.02 0.00 ± 0.01 |
| ANGLES ± 5° | DATE: _____ DATE: _____ DATE: _____ DATE: _____ |
| FINISH: _____ | MATERIAL: AL |
| SCALE: 1:3 | TITLE: AAP017 |
| DD NOT SCALE DRAWING | DRAWING NO. AAP017 /PART NO. 00 |
| SHEET 1 OF 1 | SIZE: A4 REV: _____ |

EVEREST
 WWW.EVERESTCASE.COM

