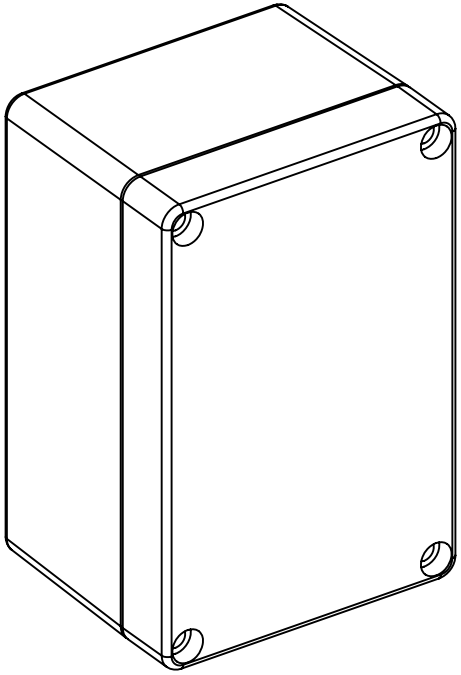
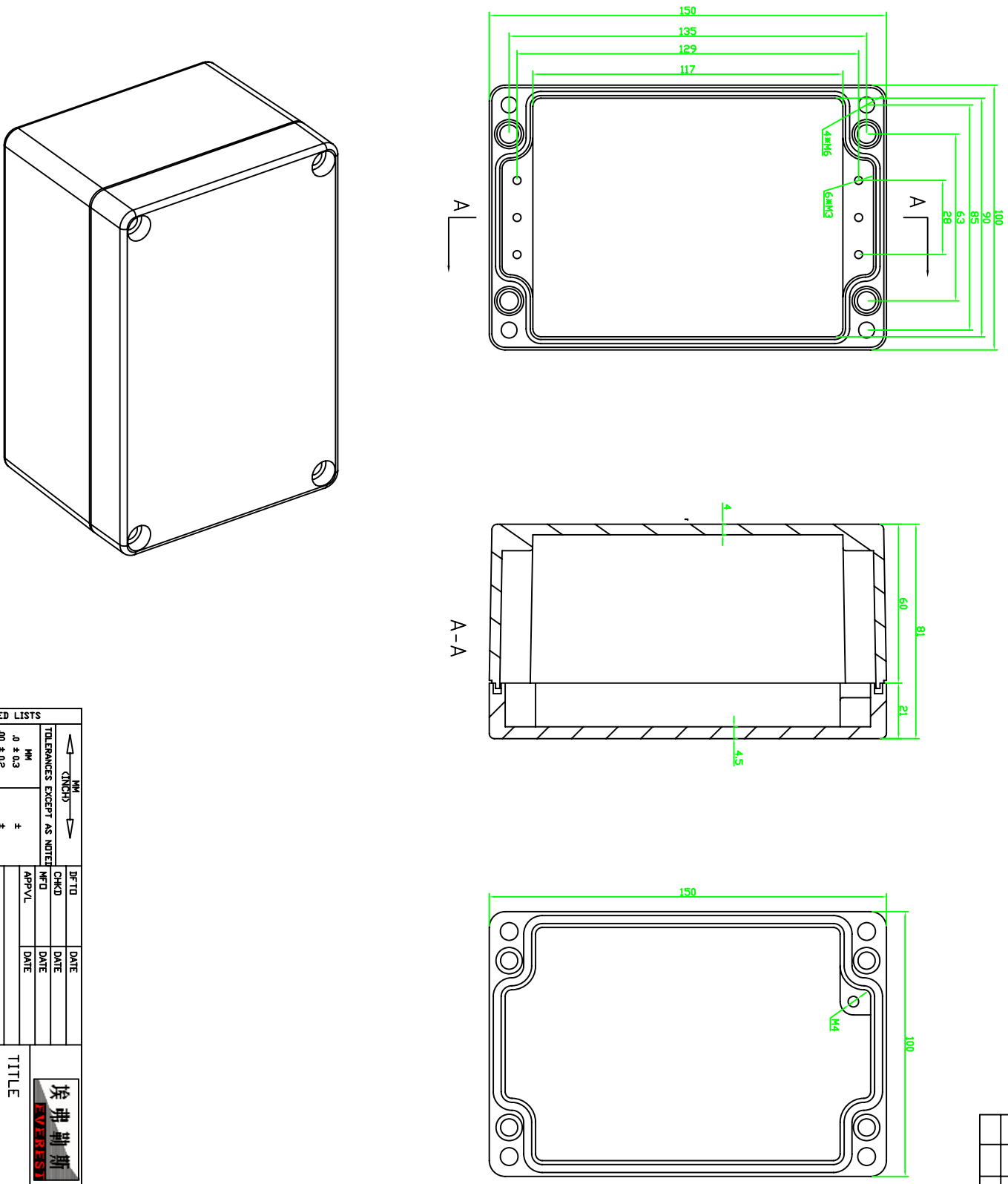


REVISION RECORD			
REV	ECD	DESCRIPTION	DRFT



DETACHED LISTS		DATE	DATE
DRFTD	CHKD	DATE	DATE
MFD	APPVL	DATE	DATE
MATERIAL : AL		DATE	
QTY : 1		DATE	
FINISH :		DATE	
SCALE : 1:1		DATE	
DRAWING NO. AW042		DATE	
/PART NO. 00		DATE	
DD NOT SCALE DRAWING		DATE	

**埃弗勒斯**  
EVEREST  
WWW.EVERESTCASE.COM

AW042

SIZE A4  
REV OF 1