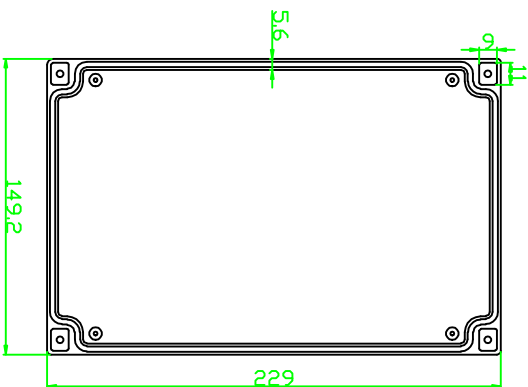
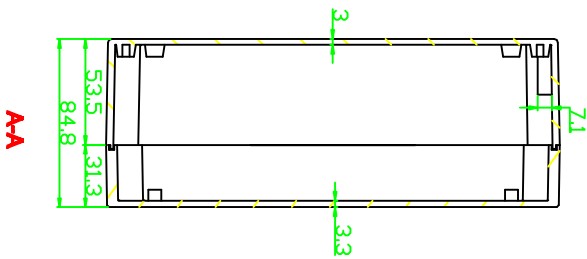
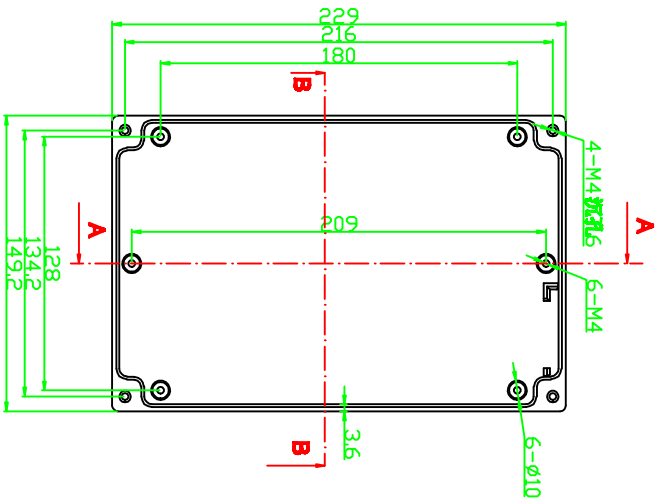
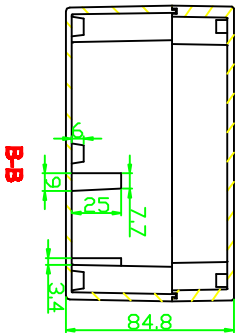


REVISION RECORD				
REV	ECD	DESCRIPTION	DRFT	CHKD



DETACHED LISTS			
MM (INCH)	MM	NAME	DATE
TOLERANCES EXCEPT AS NOTED	DRAWN	KAWIN	12/04/2014
MM	CHECKED		
0 ± 0.3	ENG APPR		
.00 ± 0.02			
.000 ± 0.01			
ANGLES ± 5°	MATERIAL	AL	
	QTY	1	
	FINISH		
FIRST ANGLE PROJECTION	SCALE	1:1	
DRAWING NO. AW096			
/PART NO. 00			
DID NOT SCALE DRAWING			
SHEET 1 OF 1			

埃弗雷斯特
EVEREST
WWW.EVERESTCASE.COM

AW096

SIZE
A4

REV