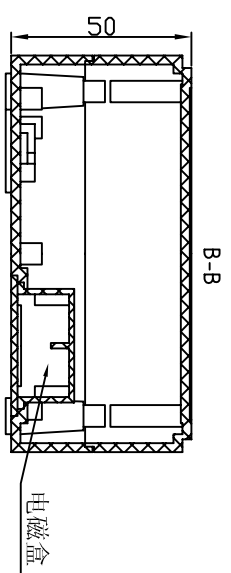
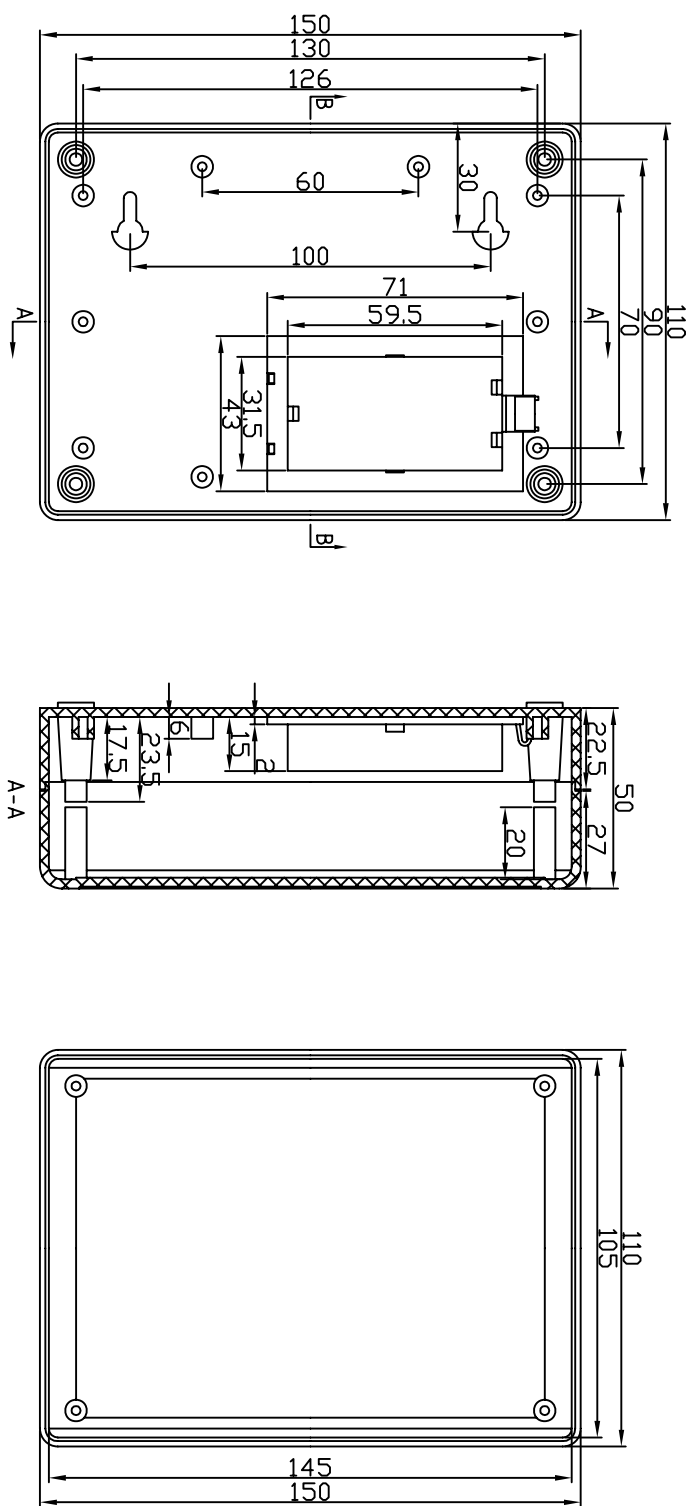


REVISION RECORD				
REV	ECO	DESCRIPTION	DRFT	CHKD



DETACHED LISTS		TOLERANCES EXCEPT AS NOTED		DFTD	
MM	(INCH)	MM	(INCH)	CHKD	DATE
0 ± 0.3	±	MM	±	MFD	DATE
.00 ± 0.02	±	APPL	DATE	DATE	DATE
0.00 ± 0.01	±	MATERIAL: ABS	DATE	DATE	DATE
ANGLES ± 5°		QTY: 1	TITLE		
THIRD ANGLE PROJECTION		FINISH:	DRAWING NO. PC064		
SCALE: 1:1		DD NOT SCALE DRAWING	/PART NO. 00		
			SIZE A4		
			REV		
			SHEET 1 OF 1		

**EVEREST**  
 WWW.EVERESTCASE.COM

PC064