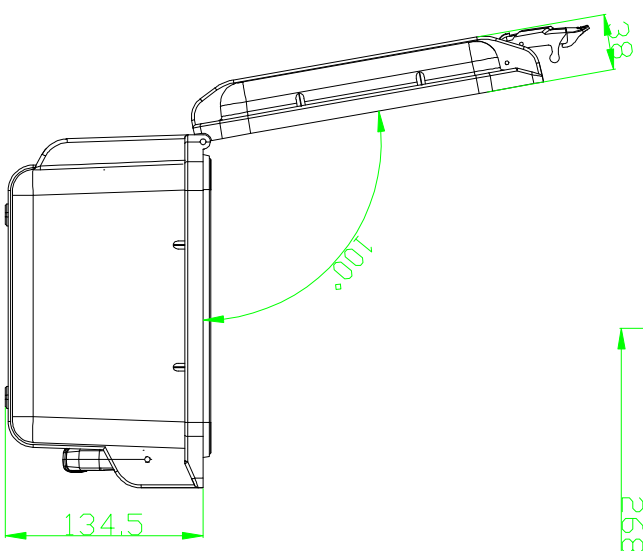
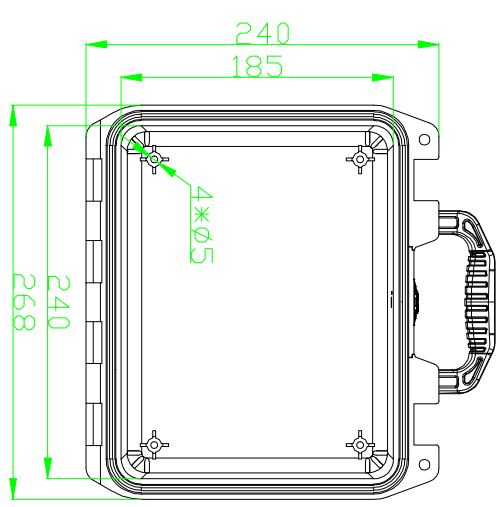
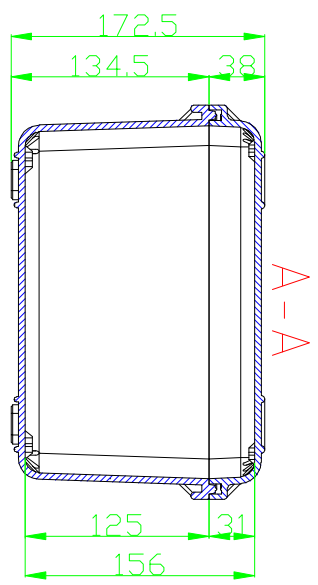
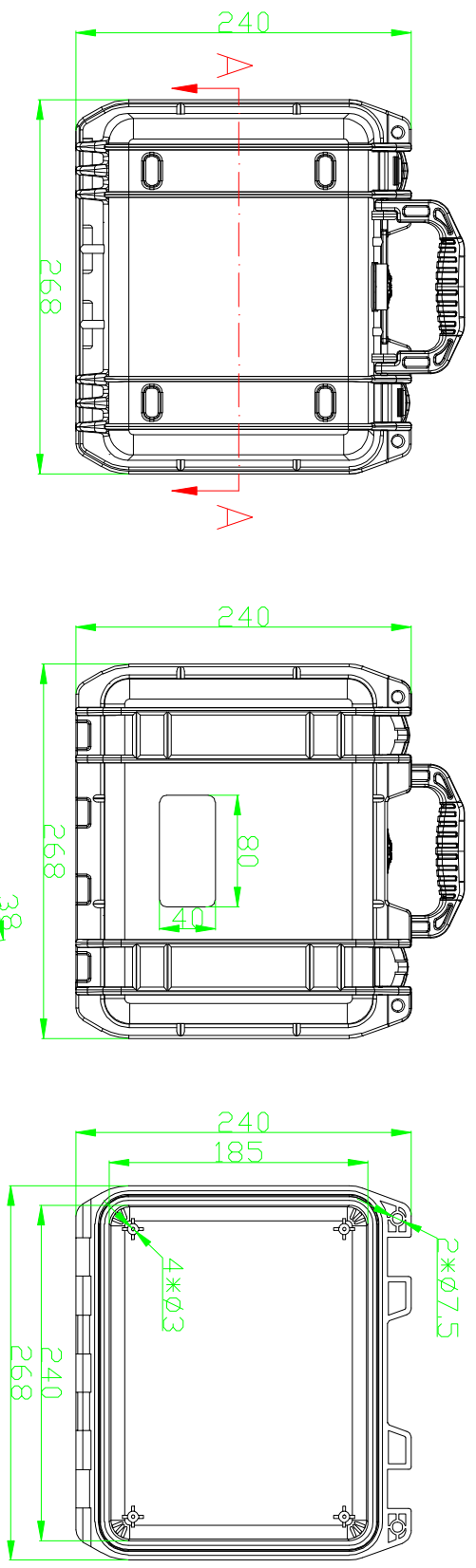


REVISION RECORD				
REV	ECD	DESCRIPTION	DRFT	CHKD



DETACHED LISTS		MM	(INCH)
TOLERANCES EXCEPT AS NOTED	DRAWN	NAME	DATE
ALL TOLERANCES IT13	Checked	Kent	03/16/2017
FDM TOLERANCES +/- 3mm	ENG APPR		
CNC TOLERANCES +/- 0.5mm	QTY :	MATERIAL :	PP
FIRST ANGLE PROJECTION	FINISH :	SCALE :	1:1
TITLE		DRAWING NO. RPC1117	
		/PART NO. 00	
		DD NOT SCALE DRAWING	
		SHEET 1 OF 1	



RPC1117

SIZE
A4
REV