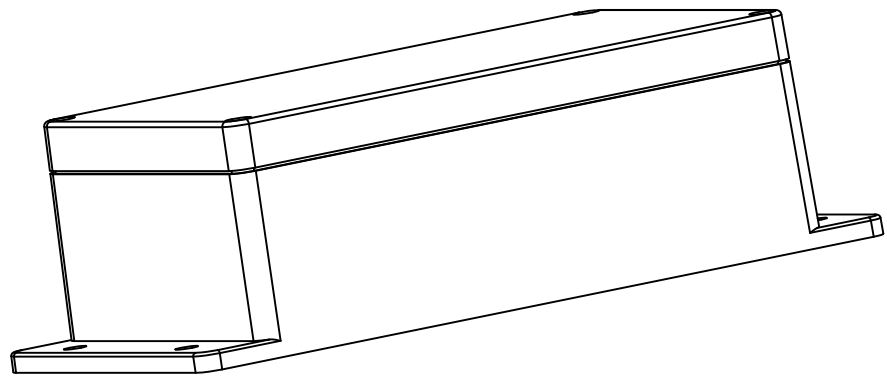
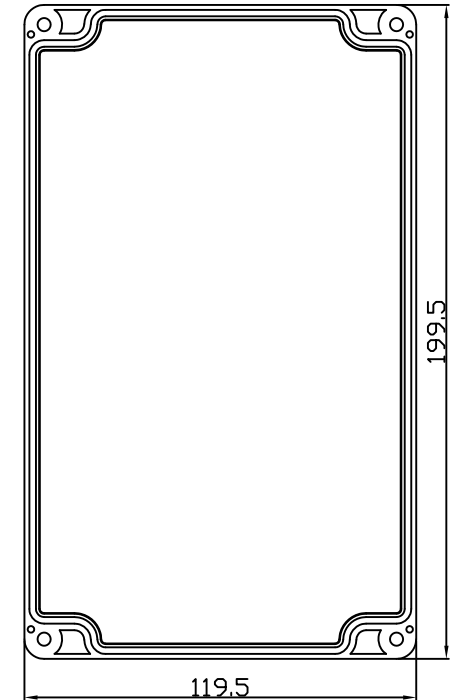
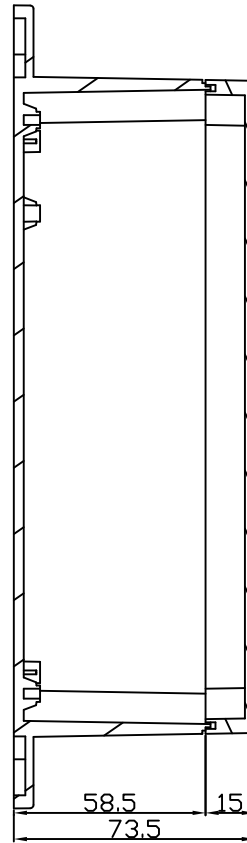
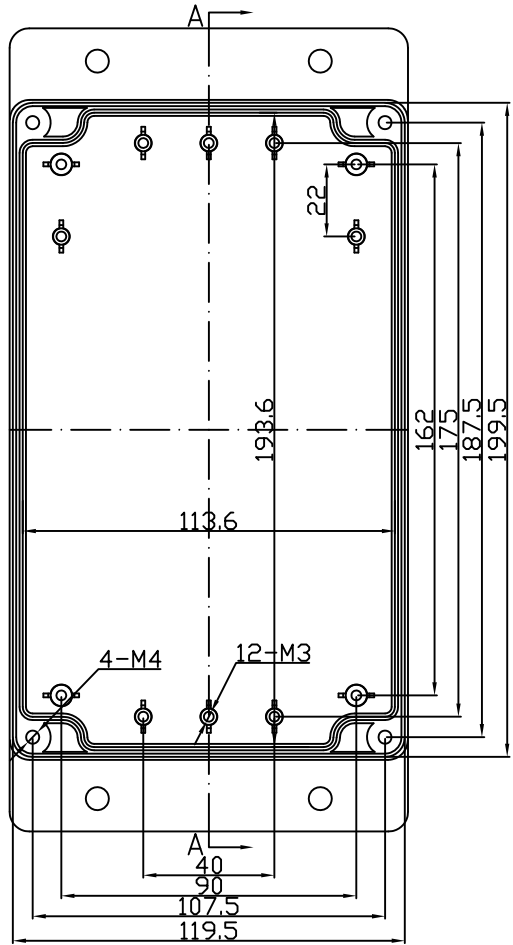


REVISION RECORD				
REV	ECD	DESCRIPTION	DRFT	CHKD



MM (INCH)		NAME	DATE	EVEREST	
TOLERANCES EXCEPT AS NOTED		DRAWN	Aaron	01/20/2015	E:\new logo.jpg
		CHECKED			
		ENG APPR.			TITLE
		MATERIAL : ABS			PW030
ANGLES ± 5°		QT'Y :			DRAWING NO. PW030
FIRST ANGLE PROJECTION		FINISH:			/PART NO. 00
		SCALE : 1:1			DO NOT SCALE DRAWING
				SHEET 1	OF 1
				SIZE A4	REV
				WWW.EVERESTCASE.COM	