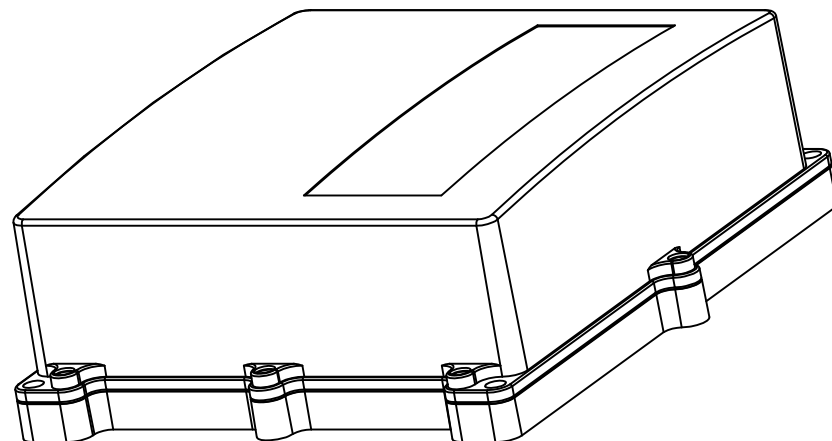
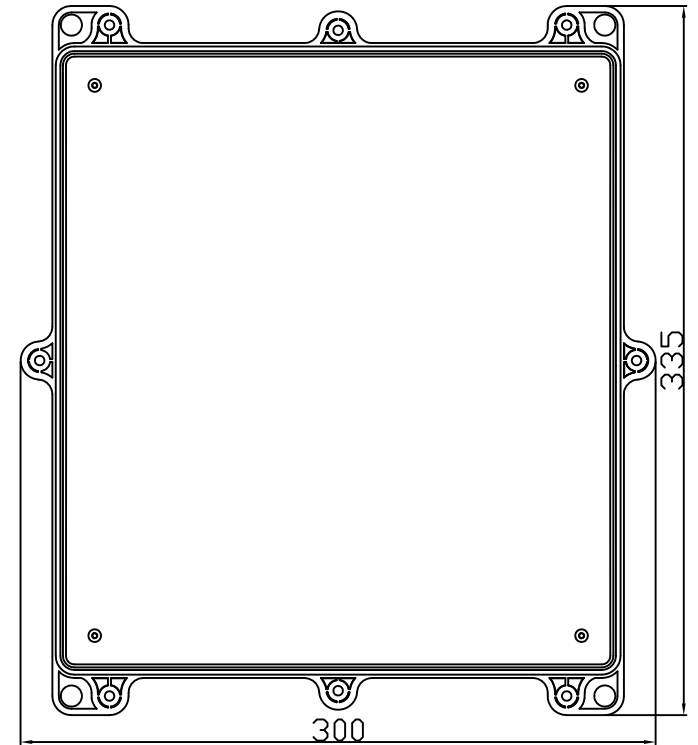
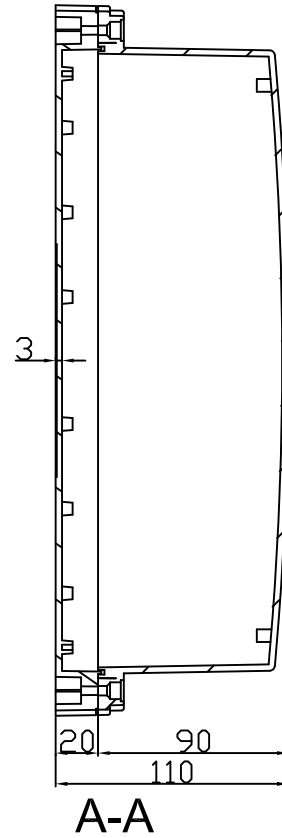
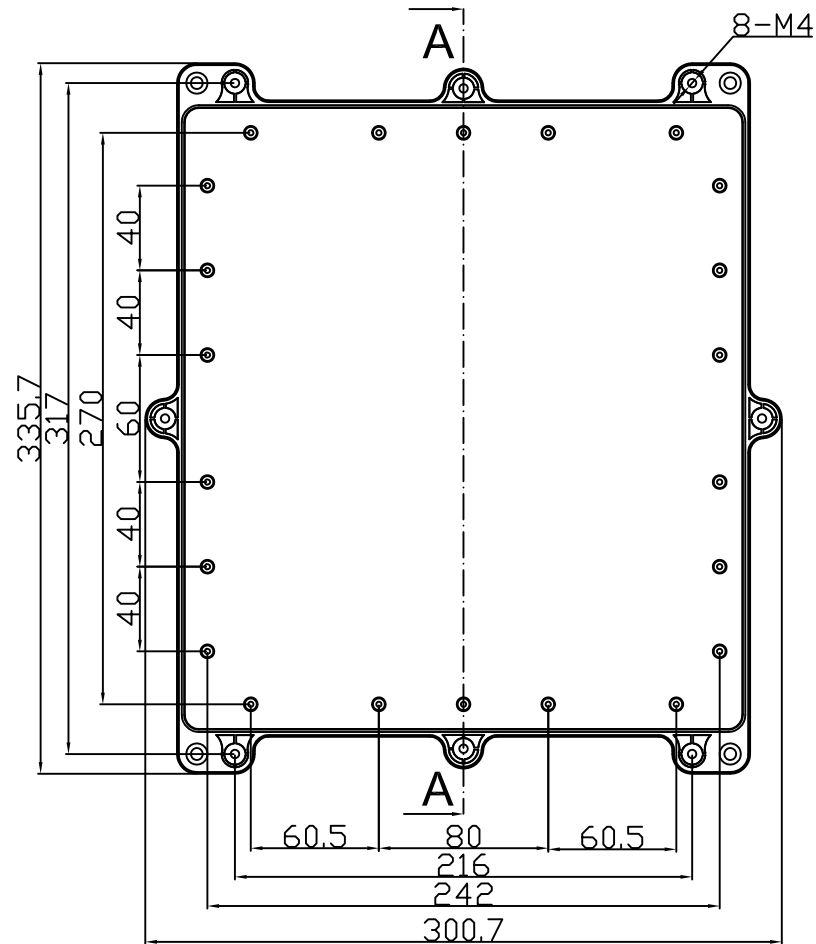


REVISION RECORD				
REV	ECD	DESCRIPTION	DRFT	CHKD



TOLERANCES EXCEPT AS NOTED		DRAWN	NAME	DATE	E:\new logo.jpg	EVEREST WWW.EVERESTCASE.COM
MM	±	CHECKED	Kelvin	02/27/2015		
.0 ± 0.3	±	ENG APPR.			DRAWING NO. PW043	
.00 ± 0.2	±				/PART NO. 00	
.000 ± 0.1	±				SIZE A4	
MATERIAL : ABS		QT'Y :		DO NOT SCALE DRAWING		SHEET 1
ANGLES ± 5°		FINISH:		SCALE : 1:1		OF 1
FIRST ANGLE PROJECTION						