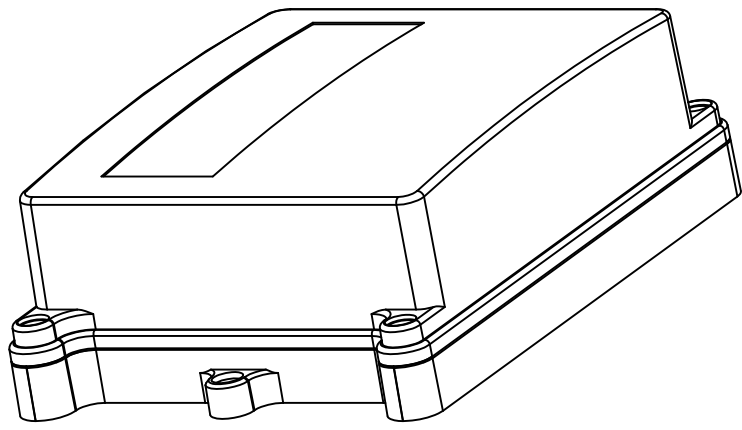
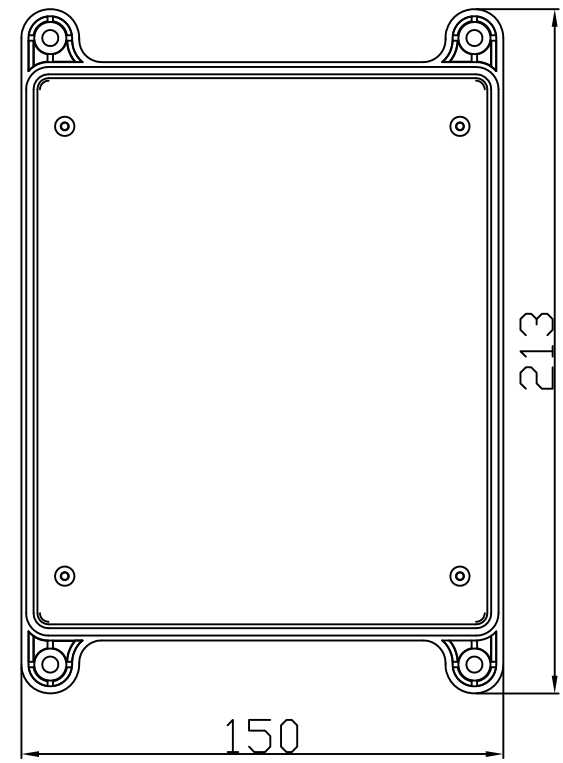
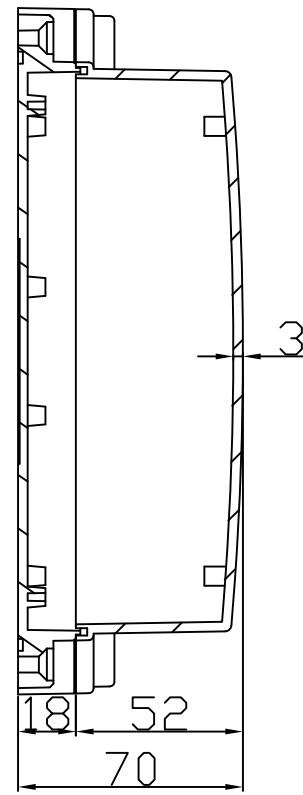
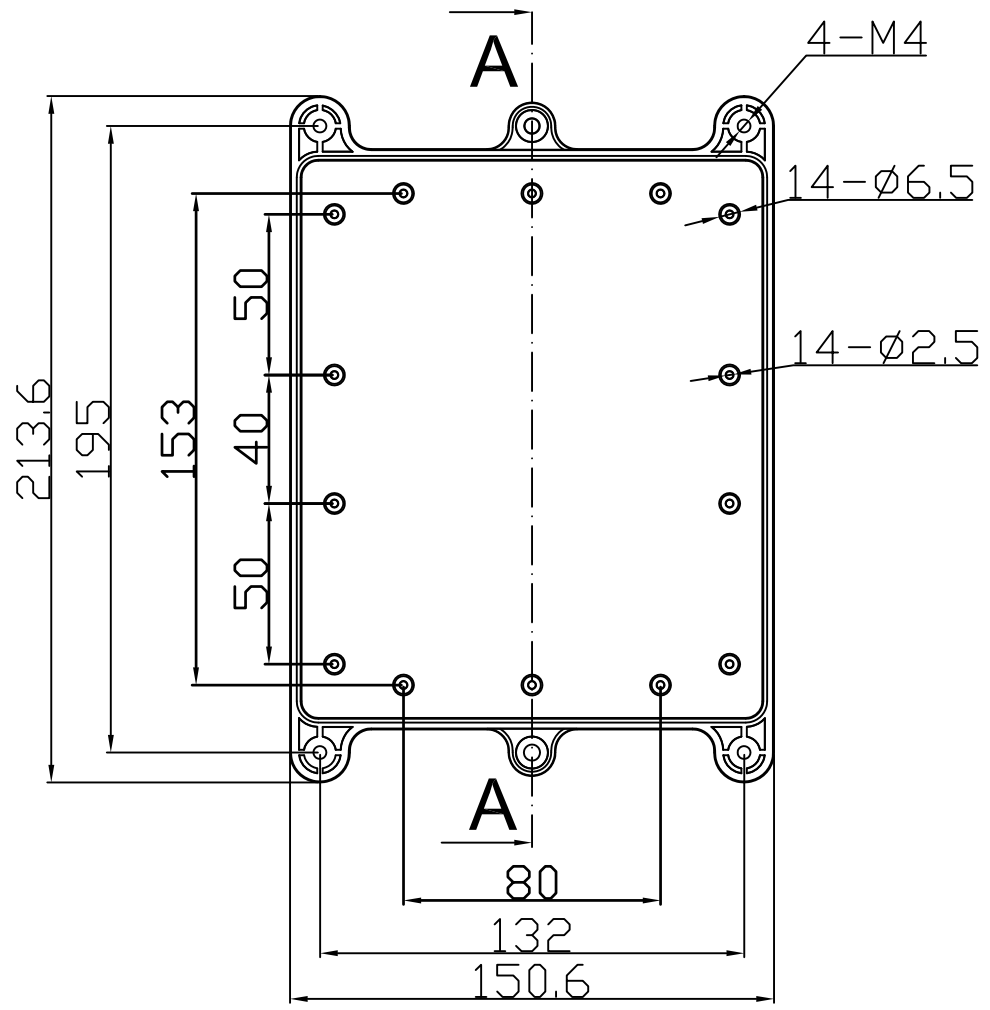


REVISION RECORD				
REV	ECD	DESCRIPTION	DRFT	CHKD



TOLERANCES EXCEPT AS NOTED		DRAWN	NAME	DATE	E:\new logo.jpg		EVEREST	
MM		Kelvin		02/09/2015			WWW.EVERESTCASE.COM	
.0 ± 0.3	±	CHECKED			TITLE		PW046	
.00 ± 0.2	±	ENG APPR.			DRAWING NO. PW046		SIZE	REV
.000 ± 0.1	±				MATERIAL : ABS		A4	
ANGLES ± 5°		QT'Y :		DRAWING NO. PW046		/PART NO. 00		
FIRST ANGLE PROJECTION		FINISH:		SCALE : 1:1		DO NOT SCALE DRAWING		SHEET 1 OF 1