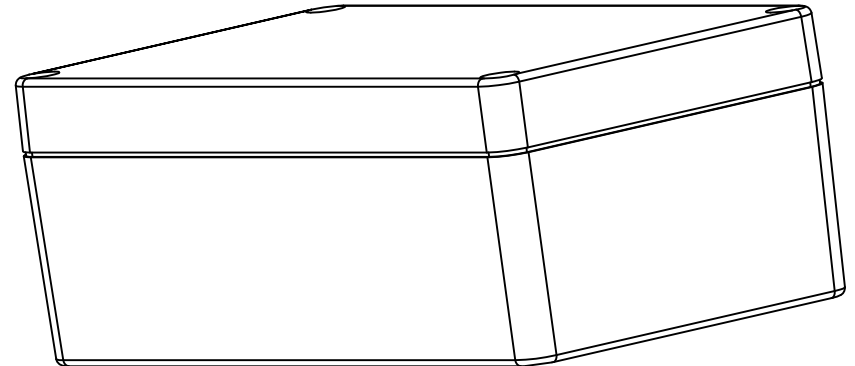
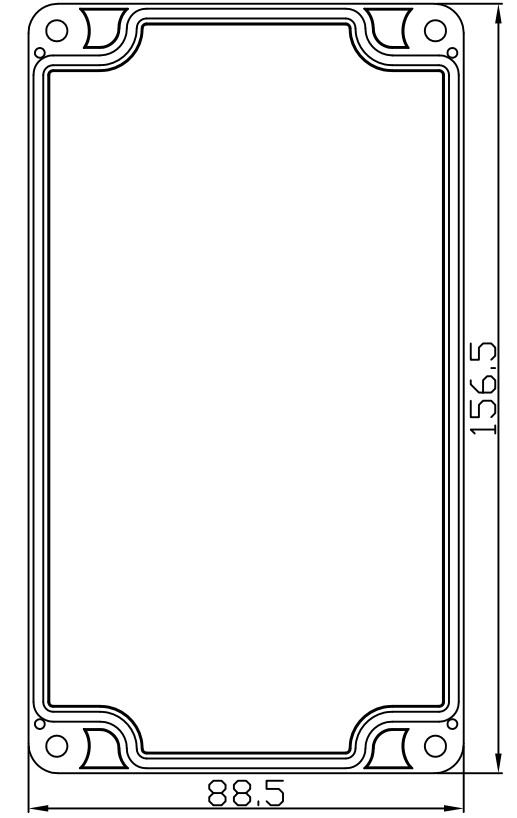
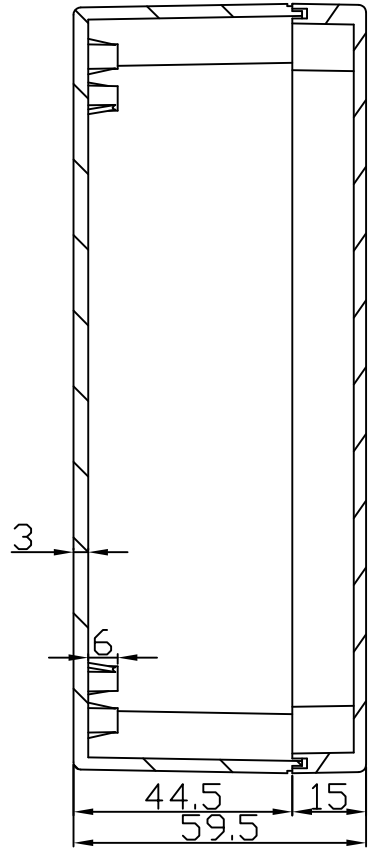
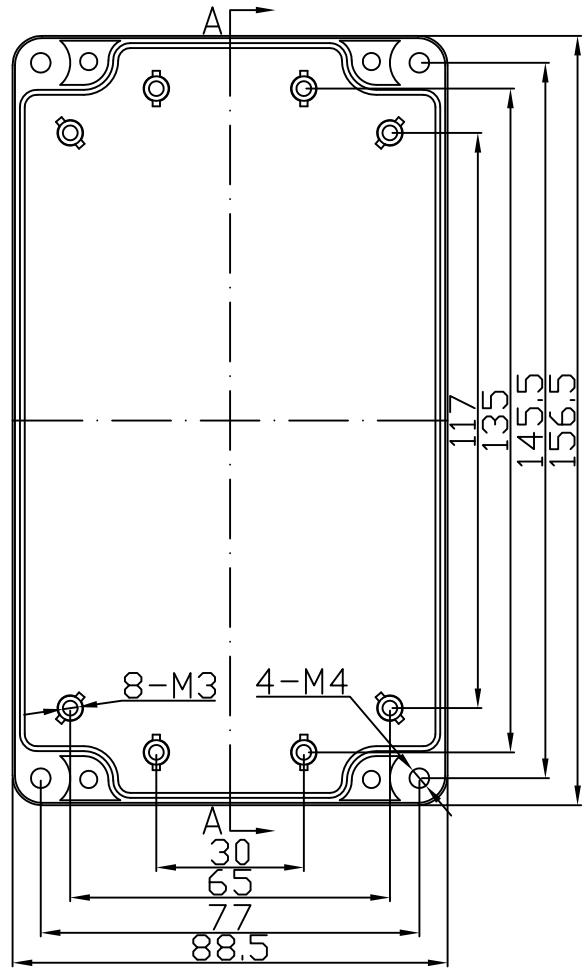


REVISION RECORD				
REV	ECD	DESCRIPTION	DRFT	CHKD



DETACHED LISTS	MM (INCH)		DRAWN	NAME	DATE	E:\new logo.jpg	EVEREST WWW.EVERESTCASE.COM
	TOLERANCES EXCEPT AS NOTED		CHECKED	Aaron	02/03/2015		
	MM	±	ENG APPR.			TITLE	
	.0 ± 0.3	±	MATERIAL : ABS		PW074		
.00 ± 0.2	±	QT'Y :		DRAWING NO. PW074		SIZE	REV
.000 ± 0.1	±	FINISH:		/PART NO. 00		A4	
ANGLES ± 5°		SCALE : 1:1		DO NOT SCALE DRAWING		SHEET 1	OF 1
FIRST ANGLE PROJECTION							