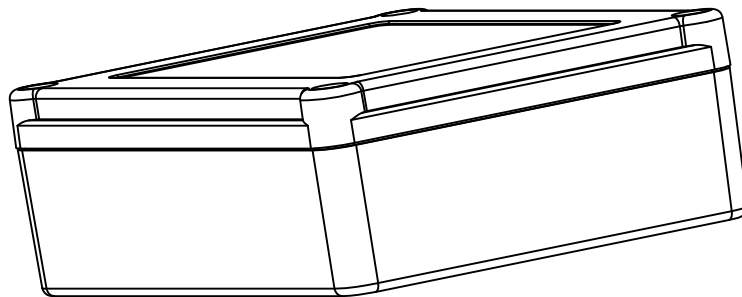
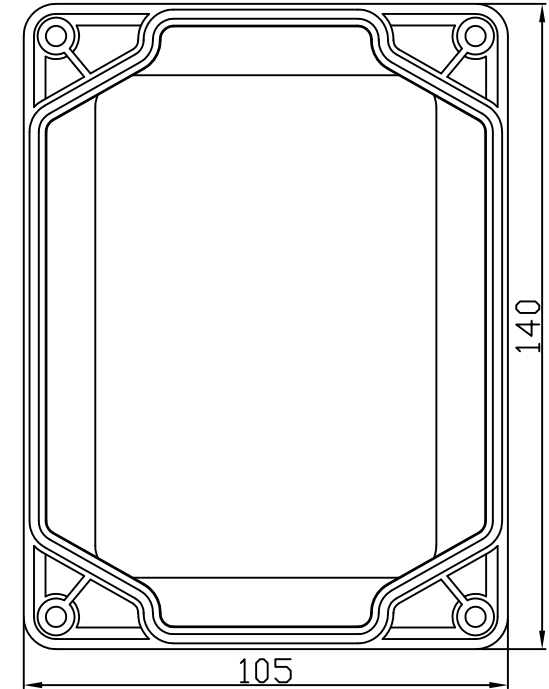
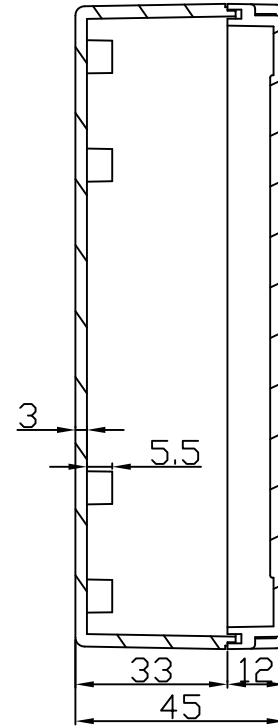
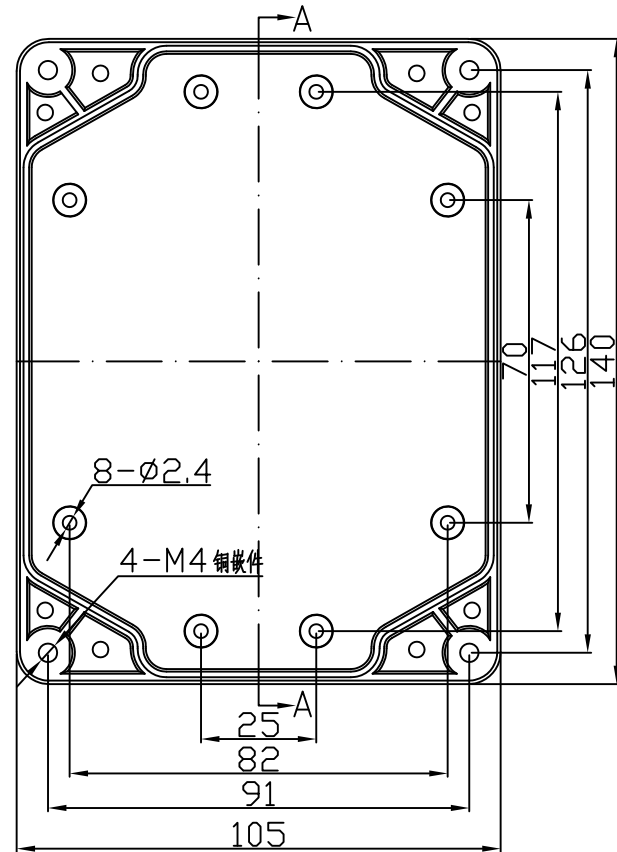


REVISION RECORD				
REV	ECD	DESCRIPTION	DRFT	CHKD



← MM (INCH) →		DRAWN	NAME	DATE	E:\new logo.jpg		EVEREST	
TOLERANCES EXCEPT AS NOTED		CHECKED	Aaron	03/02/2015	WWW.EVERESTCASE.COM		TITLE	
MM		ENG APPR					PW113	
.0 ± 0.3	±	MATERIAL : ABS		DRAWING NO. PW113		SIZE	REV	
.00 ± 0.2	±	QT'Y :		/PART NO. 00		A4		
.000 ± 0.1	±	FINISH :		DO NOT SCALE DRAWING		SHEET 1	OF 1	
ANGLES ± 5°		SCALE : 1:1						
FIRST ANGLE PROJECTION								