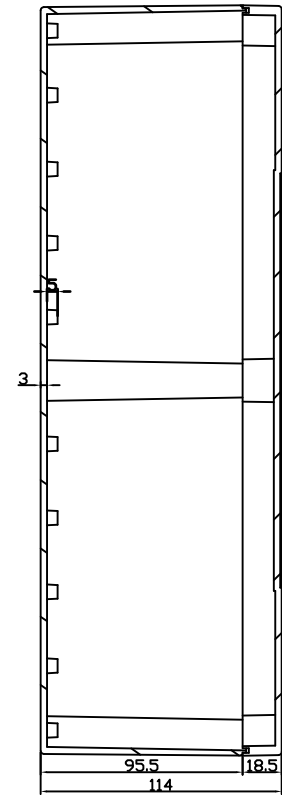
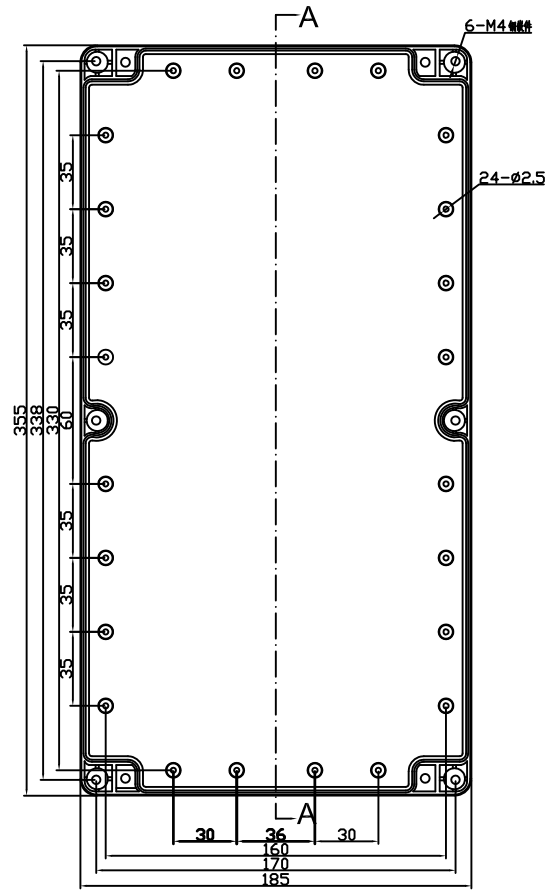
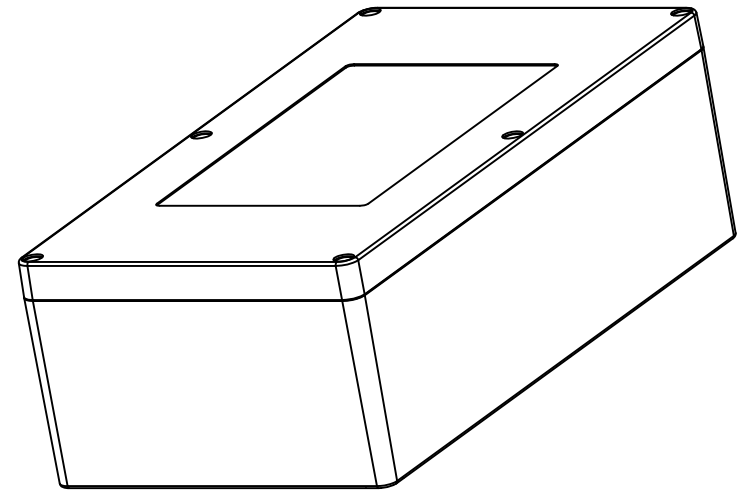
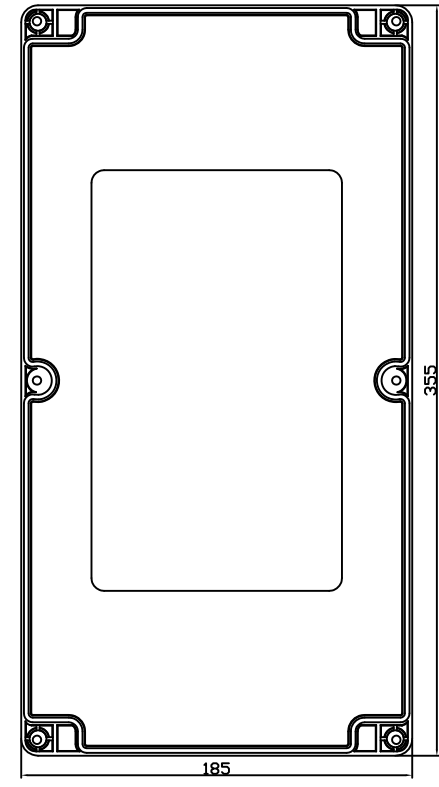


REVISION RECORD				
REV	ECD	DESCRIPTION	DRFT	CHKD



A-A



DETACHED LISTS	MM (INCH)	DRAWN	NAME	DATE	E:\new logo.jpg	EVEREST WWW.EVERESTCASE.COM
	TOLERANCES EXCEPT AS NOTED	CHECKED	Kelvin	02/05/2015		
	MM	ENG APPR.				
	.0 ± 0.3 .00 ± 0.2 0.00 ± 0.1					
ANGLES ± 5°	MATERIAL : ABS		TITLE		PW122	
FIRST ANGLE PROJECTION	SCALE : 1:1	QT'Y :	DRAWING NO. PW122		SIZE	REV
			/PART NO. 00		A4	
			DO NOT SCALE DRAWING		SHEET 1	OF 1