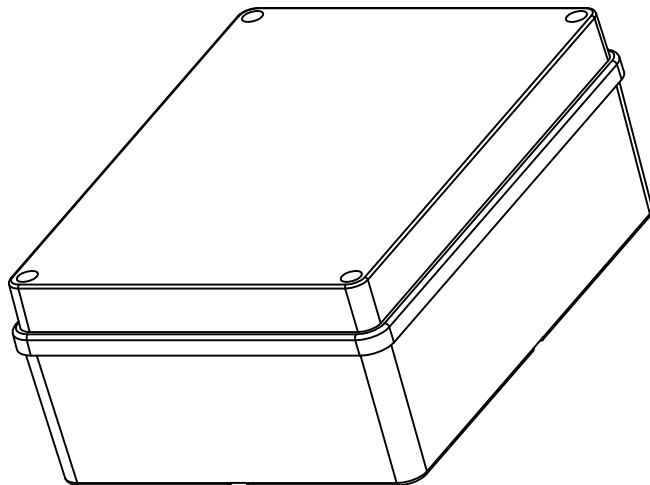
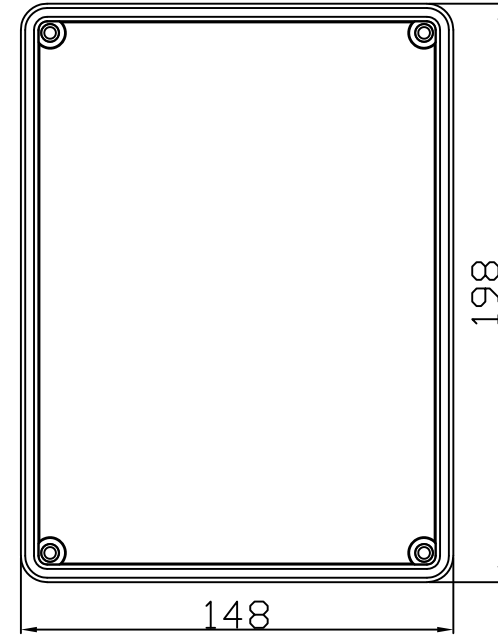
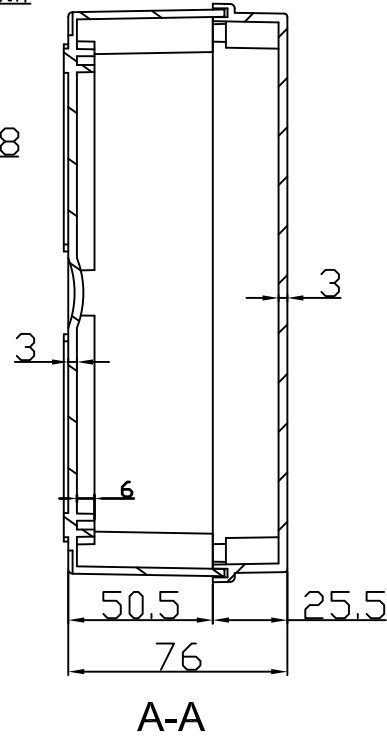
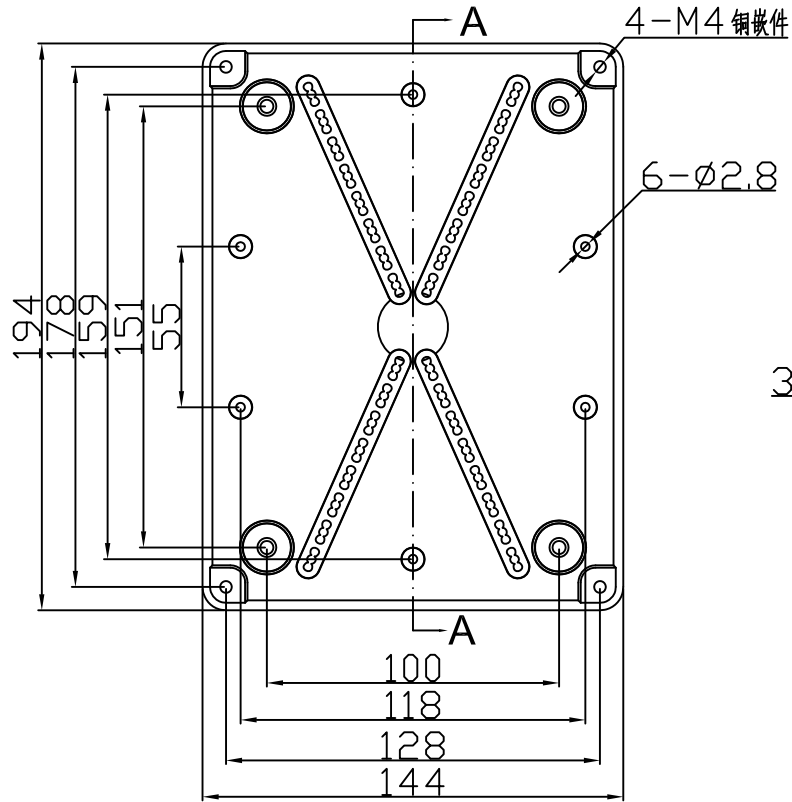


REVISION RECORD				
REV	ECD	DESCRIPTION	DRFT	CHKD



DETACHED LISTS			DRAWN	NAME	DATE	 EVEREST WWW.EVERESTCASE.COM	TITLE		
	TOLERANCES EXCEPT AS NOTED		CHECKED	Kelvin	01/14/2015		PW145		
	MM	±	ENG APPR.				DRAWING NO. PW145		
	.0 ± 0.3	±					/PART NO. 00		
.00 ± 0.2	±	MATERIAL : ABS			SIZE A4				
.000 ± 0.1	±	QT'Y :			REV				
ANGLES ± 5°		FINISH:			DRAWING NO. PW145				
		SCALE : 1:1			/PART NO. 00				
FIRST ANGLE PROJECTION				SCALE : 1:1		DO NOT SCALE DRAWING		SHEET 1 OF 1	